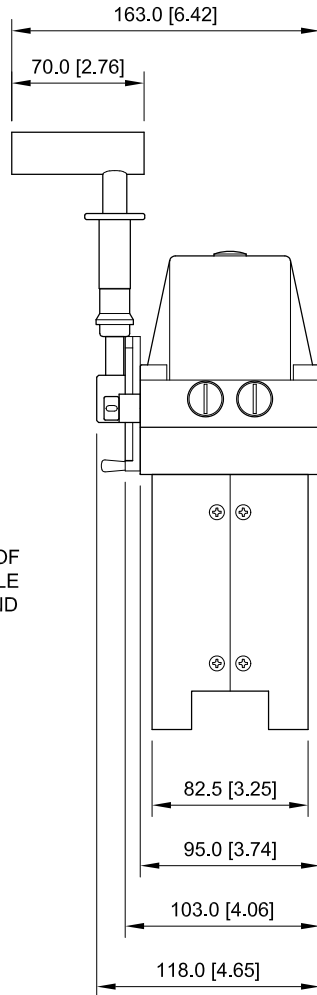
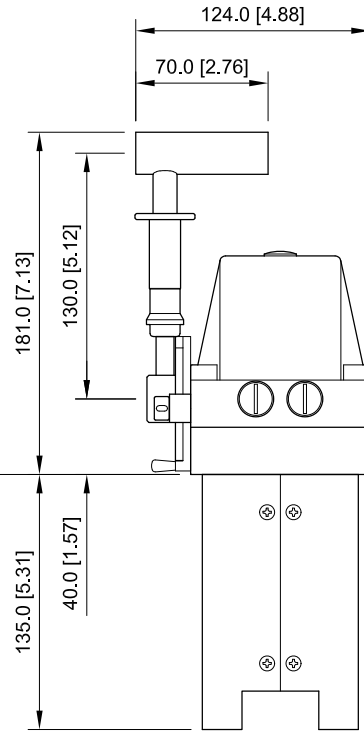




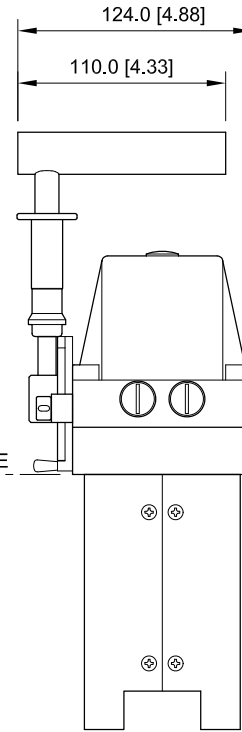
FRONT VIEW  
SHORT OUTWARD HANDLE



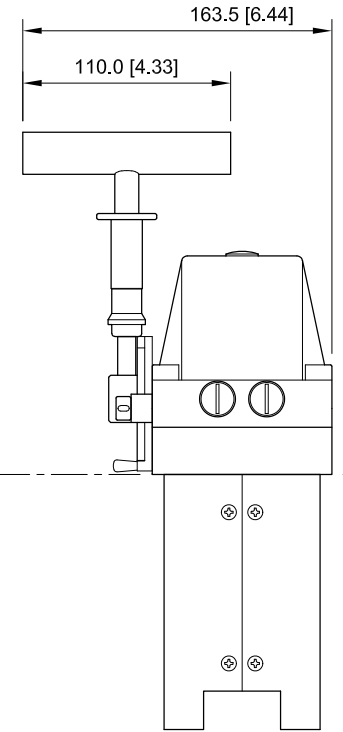
FRONT VIEW  
SHORT INWARD HANDLE



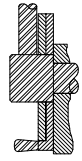
FRONT VIEW  
LONG INWARD HANDLE



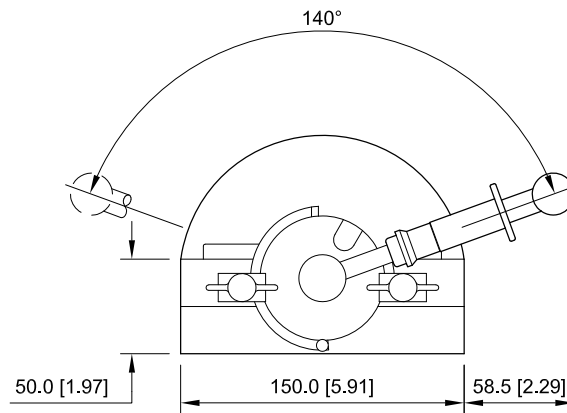
FRONT VIEW  
"T" HANDLE



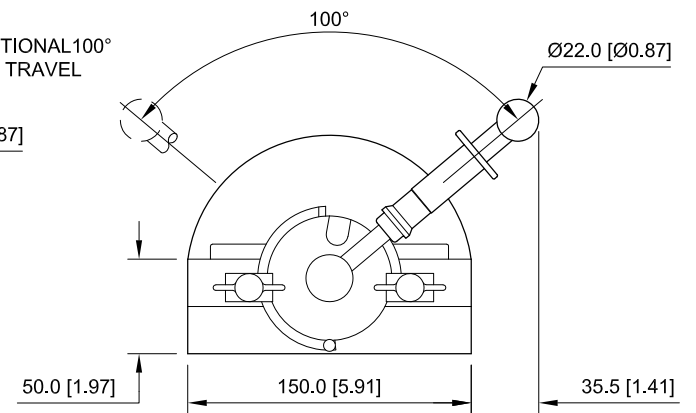
CONSOLE SURFACE



CUT VIEW OF  
ADJUSTABLE  
DETENT AND  
LATCH



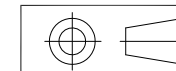
140° OR OPTIONAL 100°  
HANDLE TRAVEL



**NOTES:**  
ALL DIMENSIONS ARE IN mm  
UNLESS OTHERWISE NOTED.

PATH: S:\CONTROLLED\PRODUCT NUMBER\5800\_MCH1\_ASSEMB\5800-1001R00.DWG

THIS DRAWING SHALL NOT BE REPRODUCED OR USED FOR MANUFACTURE, PRODUCTION, OR  
PROCUREMENT WITHOUT THE EXPRESS WRITTEN PERMISSION OF PRIME MOVER CONTROLS INC.



DWN.	DWL DATE	20-05-11	REF.	
APR.	MEC DATE	20-05-21	SCALE	1:4
			SIZE	A
MCH-E CONTROL HEADS				
W/ EXTERNAL ADJUSTABLE LATCH & TRAVEL STOP				

REV	DATE	BY	APR	DESCRIPTION

**PRIME MOVER CONTROLS INC.**  
VANCOUVER, BC, CANADA

SINGLE LEVER  
- LAYOUT -

DWG. No.  
**5800-1001**