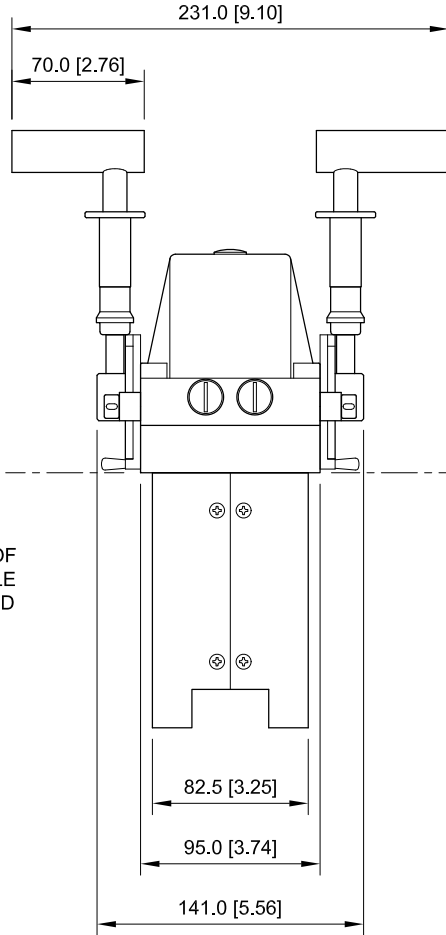
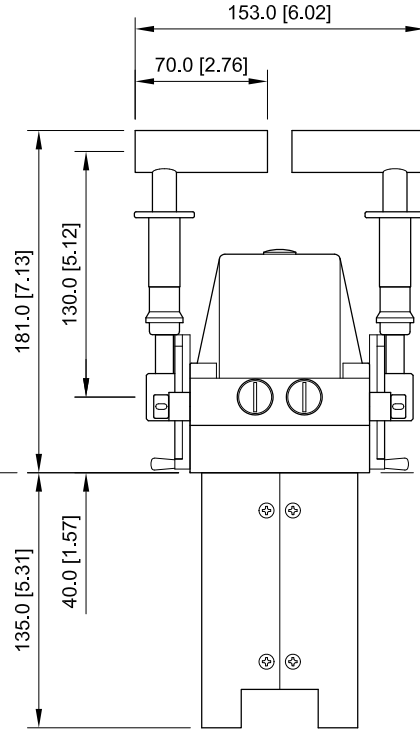




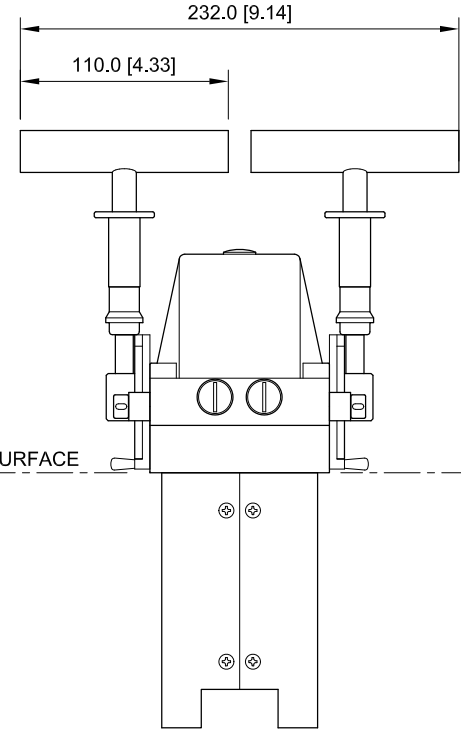
FRONT VIEW  
SHORT OUTWARD HANDLE



FRONT VIEW  
SHORT INWARD HANDLE

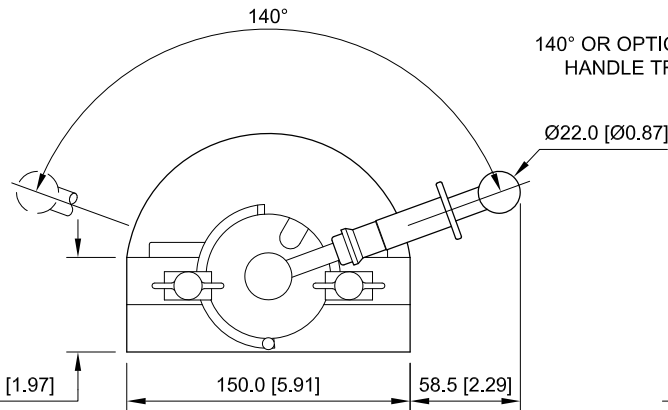
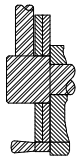


FRONT VIEW  
"T" HANDLE

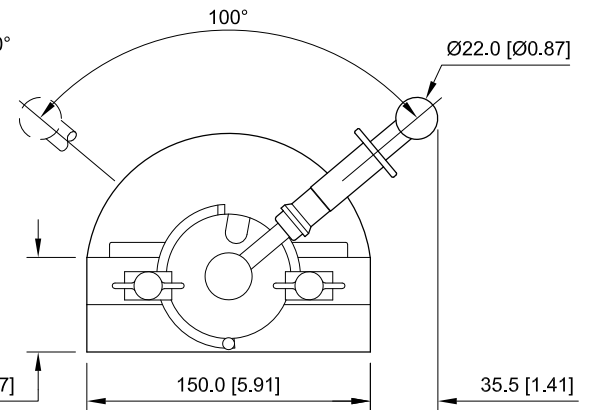


CONSOLE SURFACE

CUT VIEW OF  
ADJUSTABLE  
DETENT AND  
LATCH



140° OR OPTIONAL 100°  
HANDLE TRAVEL



**NOTES:**  
ALL DIMENSIONS ARE IN mm  
UNLESS OTHERWISE NOTED.

PATH: S:\CONTROLLED\PRODUCT NUMBER\5800\_MCH\1\_ASSEMB\5800-1002R00.DWG

THIS DRAWING SHALL NOT BE REPRODUCED OR USED FOR MANUFACTURE, PRODUCTION, OR  
PROCUREMENT WITHOUT THE EXPRESS WRITTEN PERMISSION OF PRIME MOVER CONTROLS INC.

REV	DATE	BY	APR	DESCRIPTION
DWN.	DWL DATE	20-05-11	REF.	
APR.	MEC DATE	20-05-21	SCALE 1:4	SIZE A
<b>MCH-E CONTROL HEADS</b>				<b>PRIME MOVER CONTROLS INC.</b> VANCOUVER, BC, CANADA
W/ EXTERNAL ADJUSTABLE LATCH & TRAVEL STOP				