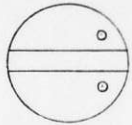
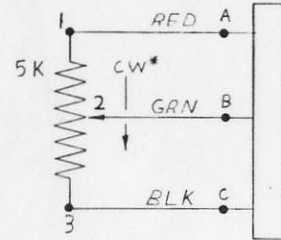


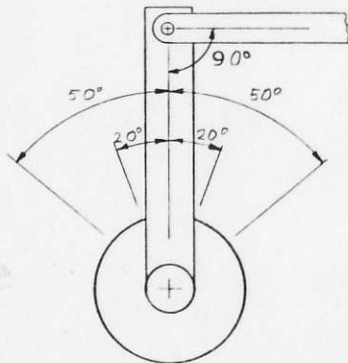
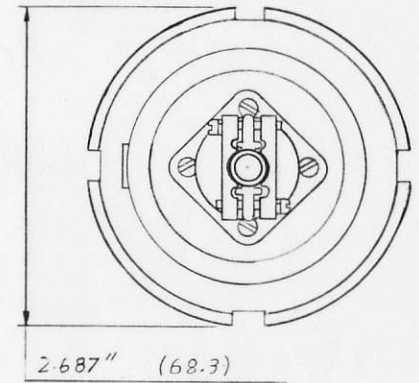
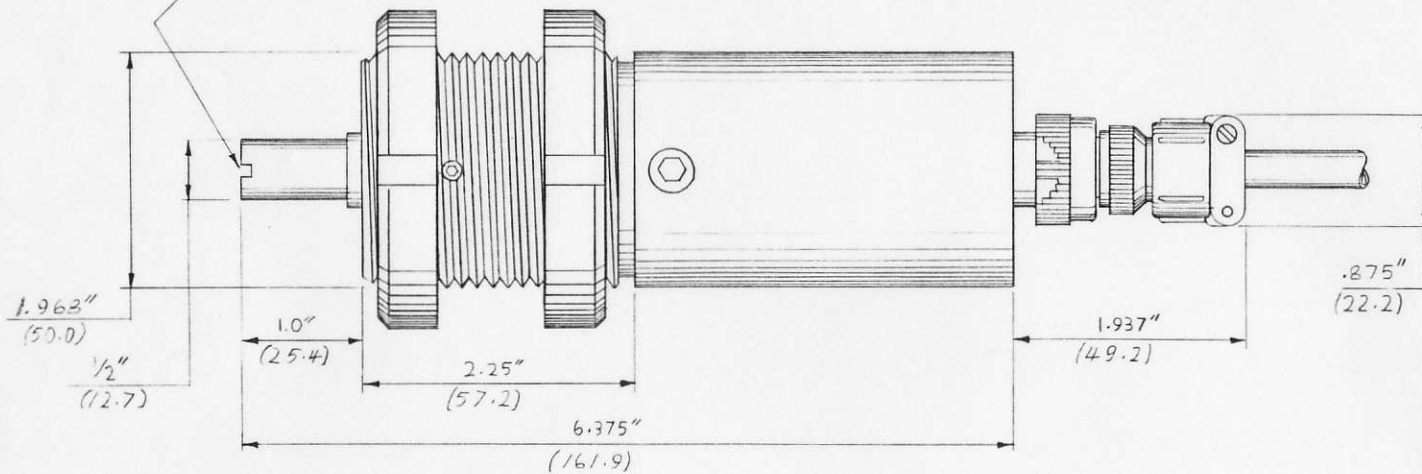
PLUG ON HOUSING IS
ALIGNED BETWEEN PUNCH
MARKS ON SHAFT WHEN
POTENTIOMETER IS CENTERED



SHAFT END DETAIL



* CW ROTATION AS VIEWED
FROM SHAFT END



RECOMMENDED TRAVEL IS 20°-50°
EITHER SIDE OF RIGHT ANGLE.
(90° BETWEEN LEVER AND LINK)

IF INCREASED TRAVEL IS REQUIRED
USE RATIO DEVICES SUCH AS GEARS
OR PULLEYS.

EFFECTIVE ELECTRICAL TRAVEL
OF POTENTIOMETER IS 340° ± 3°

DIMENSIONS IN BRACKETS
ARE IN mm

DWN. PJD DATE 22-05-10	REF.	REV. DATE BY	
CKD. DATE	SCALE FULL SIZE	PRIME MOVER CONTROLS LTD. VANCOUVER, B.C., CANADA	
REMOTE POSITION TRANSMITTER		POTENTIOMETER	DWG. No. SHEET OF F-8360-1001