



Series 5078-1000

Compact control head suitable for a wide range of marine and industrial applications.

This includes main propulsion, bow/stern thrusters and winches.

FEATURES

- Maximum performance without compromise
- Compact design simplifies armrest installation
- Redundant control lever position sensing
- Watertight above console

OPTIONS

- Chrome or black housing finish
- Engraved scale on housing
- Various control levers with 'L' handle
- Straight or curved control lever with knob
- Safety latch locks in one, two or three positions. Available only with straight control lever and knob arrangement
- 140° lever travel standard. Consult factory for alternate lever travels
- Up to 11 detents

SMALL CONTROL HEAD - ELECTRIC

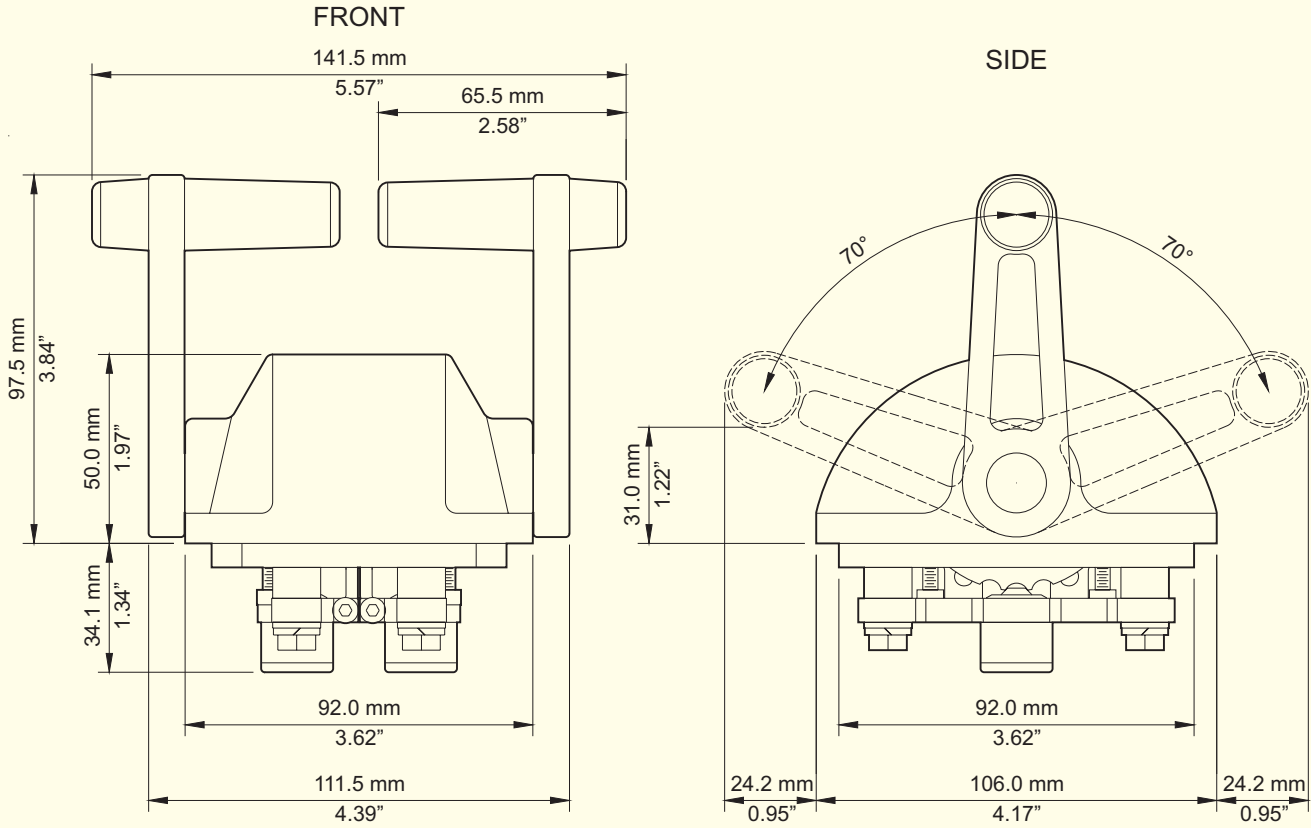
TYPE SCH-E



¾ ACTUAL SIZE

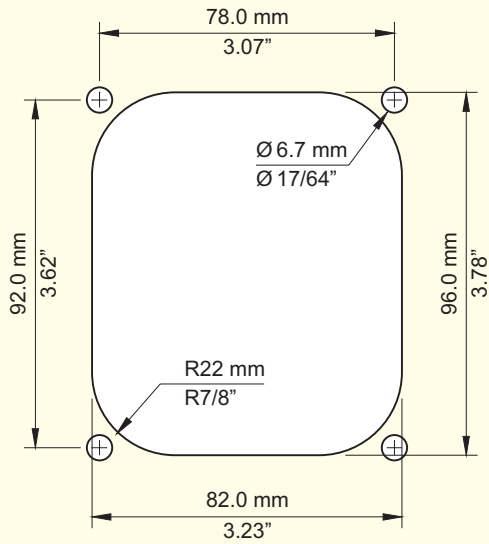
PRIME MOVER CONTROLS INC.

DIMENSIONS FOR 5078 SMALL CONTROL HEAD - ELECTRIC

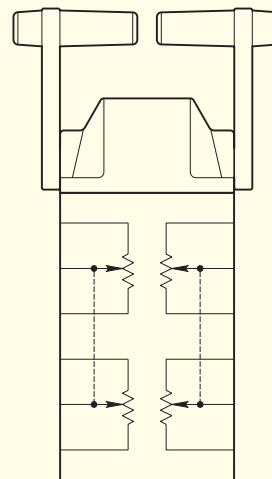


SCALE 1 : 2

MOUNTING HOLES



WIRING DIAGRAM



PRIME MOVER CONTROLS INC.

3600 GILMORE WAY, BURNABY B.C. CANADA V5G 4R8

TEL (604) 433-4644 FAX (604) 433-5570 www.pmc-controls.com