



# Type 5360-1000

The Azimuth Control Head provides accurate propulsion control of power and rotation for 360° thrusters.

The control head provides internally mounted potentiometers for power and rotation control. A maximum of four potentiometers for power control (speed and/or pitch) and three potentiometers for rotation control can be fitted. Optional 4-20 mA two wire transmitters can be provided for power control. Internal switches are available for additional power and rotation functions.

A variety of detent configurations are available for power lever position and rotation direction. Detent forces are fully adjustable. Independent adjustable friction brakes are provided for both power lever position and rotation direction to eliminate creep.

Long life LED illumination is provided for both power and rotation control lever positions. The illumination is controlled by an external dimmer and is confined to the power scale window and azimuth pointer area to prevent over lighting.

The azimuth control head can also be configured for applications that require limited rotation, such as propulsion power combined with water jet or rudder control.

Custom scales are available.

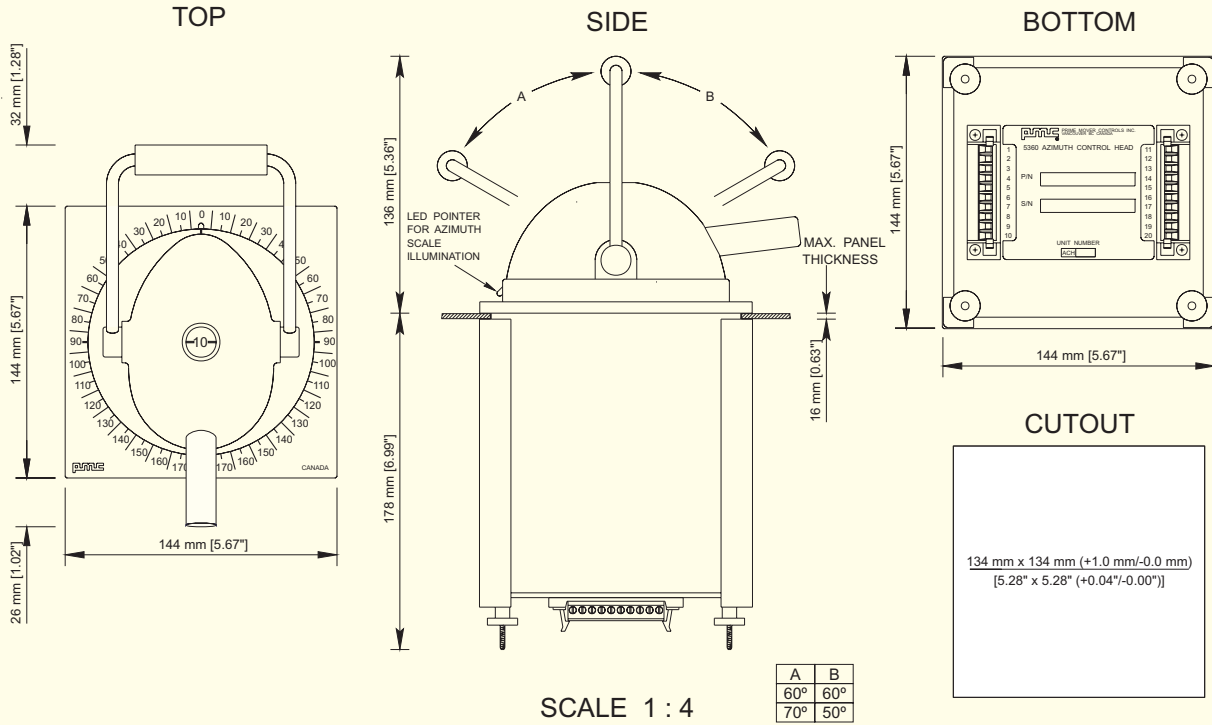
## AZIMUTH CONTROL HEAD

POWER AND 360° CONTROL



**PRIME MOVER CONTROLS INC.**

## DIMENSIONS FOR 5360-1000 AZIMUTH CONTROL HEAD



### FEATURES:

- 144 mm DIN size
- Integrated propulsion control with 'one handed' operation of power and 360° rotation
- 24 V<sub>DC</sub> illuminated power and rotation scales, 100% dimmable
- Custom power and rotation scales
- Maximum four potentiometers for power
- Maximum three potentiometers for rotation
- Optional switches for power and rotation
- Detents with adjustable detent forces
- Numerous power lever travel options available
- Adjustable friction brakes
- Available for limited rotation applications such as water jets, or propulsion power combined with rudder control
- Plug-in terminal connections

### SPECIFICATIONS:

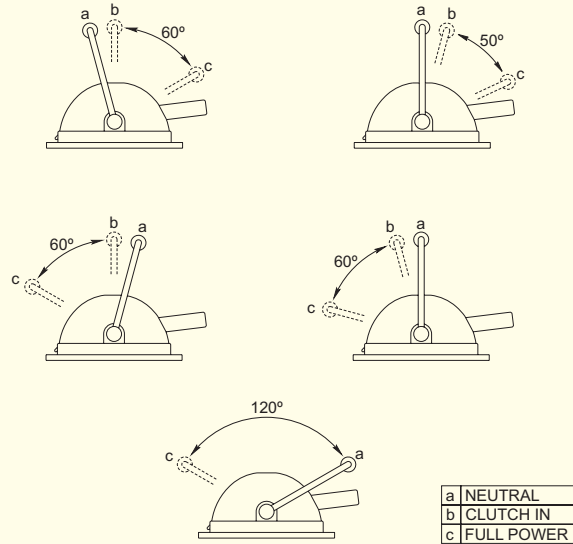
#### Environmental:

- Corrosion resistant
- Anodized marine grade aluminum case
- IP66 above console surface
- Operating temperature -20°C to +70°C
- Storage temperature -40°C to +85°C
- Vibration: Frequency range 3 Hz to 100 Hz  
 Peak to peak amplitude 2 mm below 13.2 Hz  
 Acceleration amplitude 0.7 g above 13.2 Hz

### Physical:

- 144 mm DIN size
- Flush mount
- Dimensions:  
 196 mm H × 196 mm W × 314 mm D  
 (7.72" H × 7.72" W × 12.35" D)
- Weight, typical 2.6 kg (5.8 lbs)

### TYPICAL POWER LEVER TRAVEL OPTIONS



## PRIME MOVER CONTROLS INC.

3600 GILMORE WAY, BURNABY BC CANADA V5G 4R8

TEL 604 433-4644 FAX 604 433-5570 www.pmc-controls.com