



REMOTE ELECTRIC CONTROL HEAD

Dependable Precise Control

MCH-EB control heads provide remote control for a wide range of marine and industrial applications.

Single or Dual Lever

Many different control handles are available. A handle coupling mechanism is available for dual lever control heads.

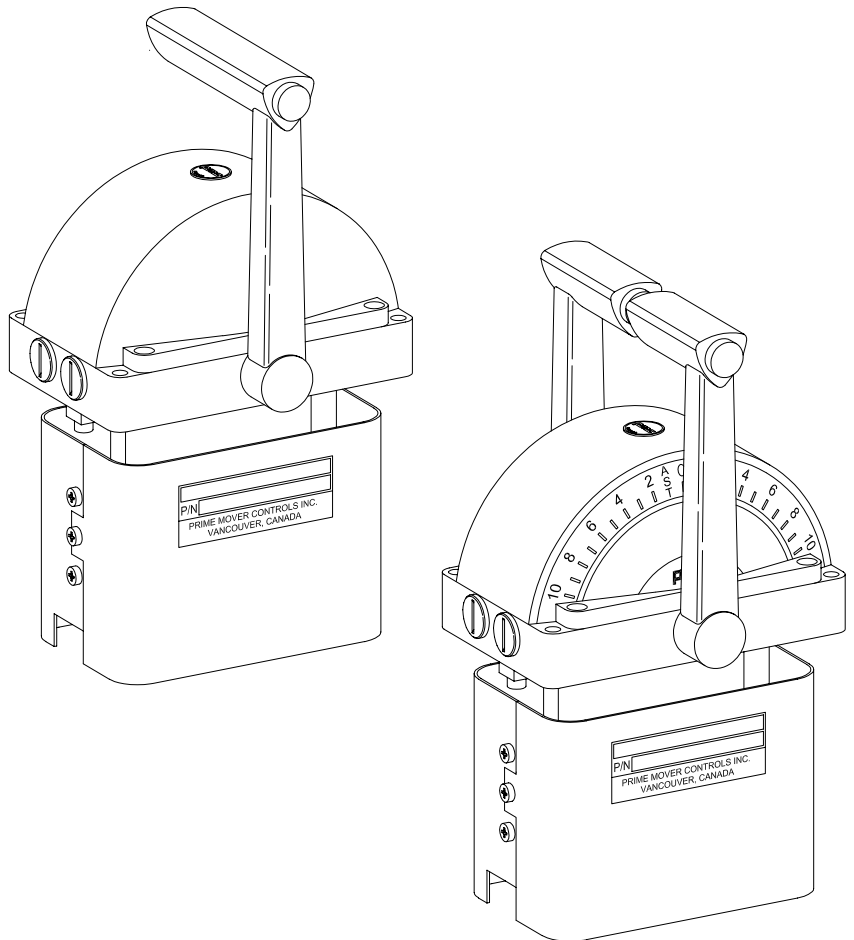
Illumination

Optional illumination is available with a variety of scales.

Watertight

Completely watertight design allows outside installation, even on models with illumination.

Basic Type MCH-EB



PRIME MOVER CONTROLS INC.

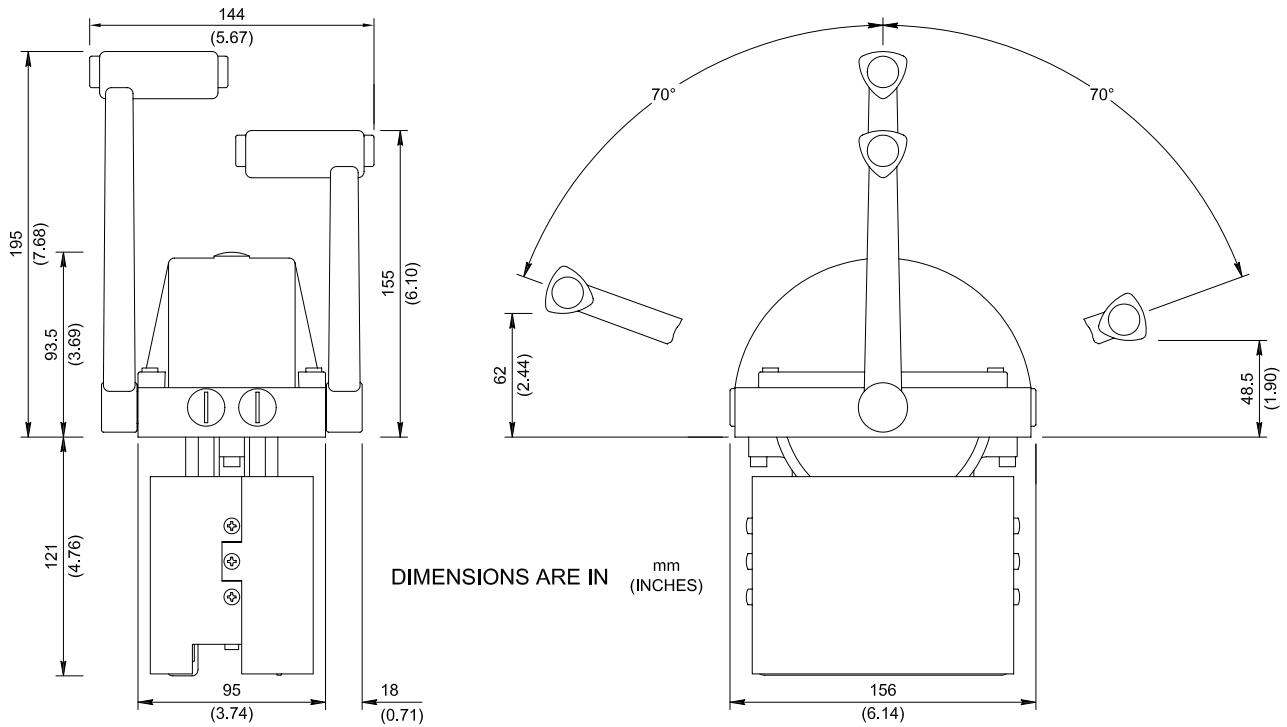
VANCOUVER, BC, CANADA

DESIGN MANUFACTURE AND SERVICE OF MARINE AND
INDUSTRIAL CONTROL COMPONENTS AND SYSTEMS

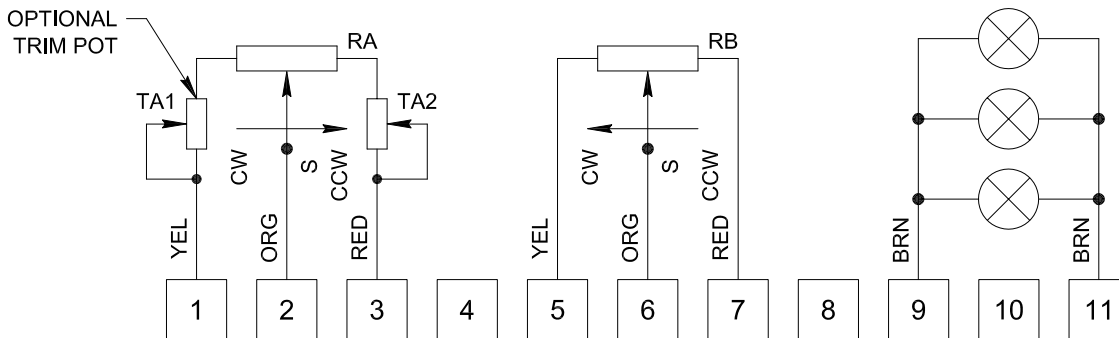
Electronic - Pneumatic - Hydraulic - Mechanical

Remote Electric Control Head

Type MCH-EB Basic



TYPICAL WIRING DIAGRAM



For More Information, See Bulletin RB-5800-2000.

PRIME MOVER CONTROLS INC.

3600 Gilmore Way, Burnaby, BC, Canada V5G 4R8 Tel: (604) 433-4644 FAX: (604) 433-5570

5800-1-06 Rev. 1