



# Type 8121-2000

The TYPE 8121-2000 Single Point Display is intended to work with other PMC products and as a stand alone item. The single point display will function as a single point repeater, cabin alarm annunciator, cabin call display, or any other function which requires a compact, single point, visual and audible annunciator complete with dimmer.

## MULTIPLE APPLICATIONS

- Machinery alarm repeater
- Cabin alarms
- Engineer's call systems
- Bridge to engine room communications
- Watch keeping systems
- Single point signaling

## RELIABILITY

- Two bulbs for each lighted pushbutton reduces possibility of total display failure
- Test pushbutton checks all bulbs and horn
- Rugged die-cast enclosure

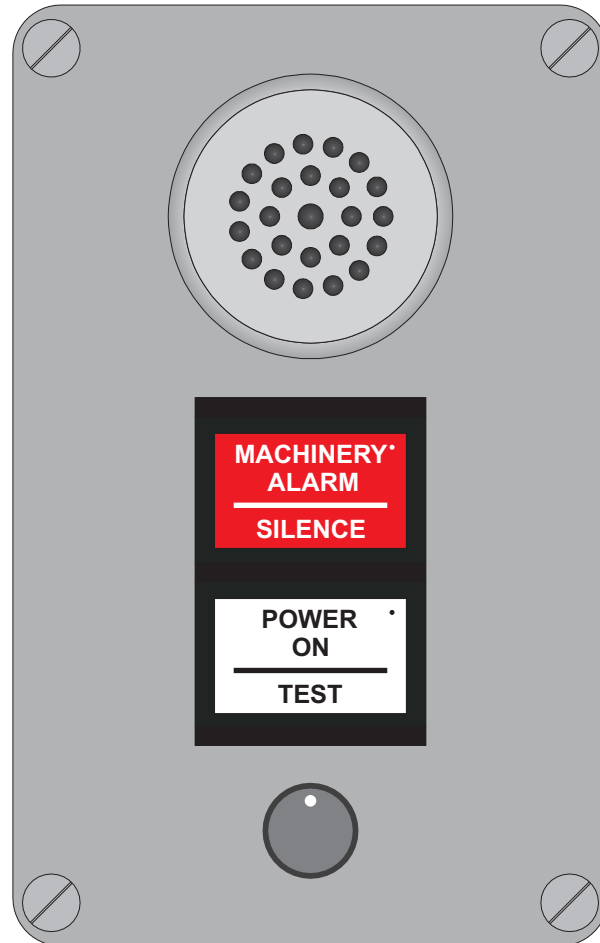
## PROTECTION

- Input is protected for over voltage and reverse polarity connection
- Conformal coated circuit board for moisture and corrosion protection
- Internal fuse is provided

## EASE OF USE

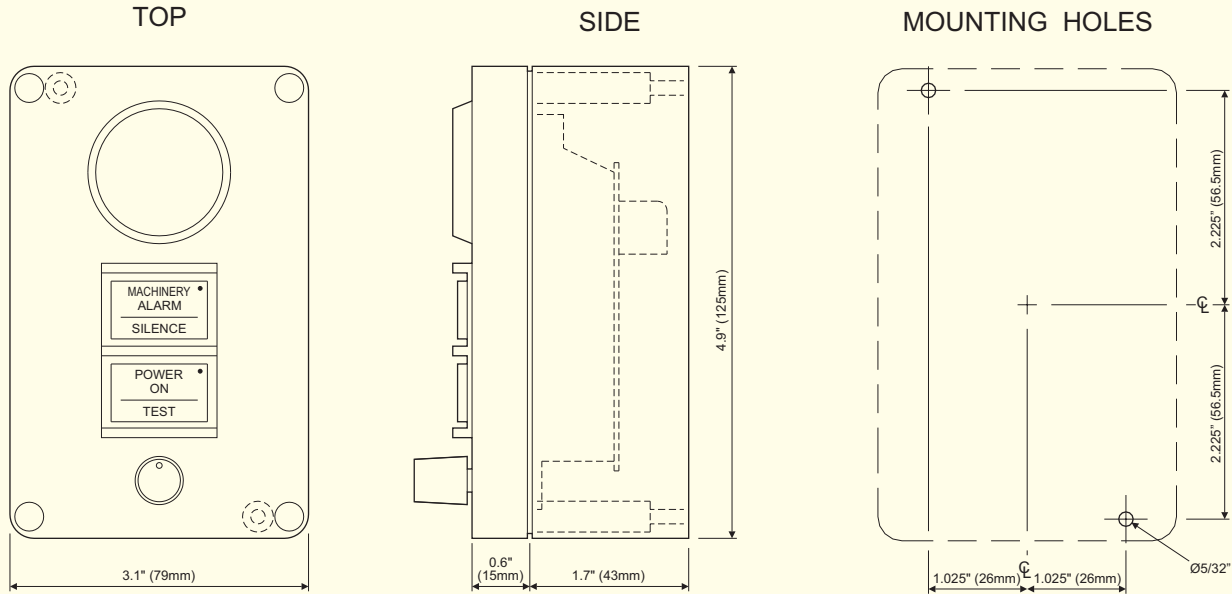
- Horn and both lights are independently controllable
- Horn, when silenced, resets automatically for next signal
- Both pushbuttons include contacts for external uses
- Bulbs are easily front replaced
- Solid state dimmer provides 0 to 100 percent brilliance control

## SINGLE POINT DISPLAY



**PRIME MOVER CONTROLS INC.**

## DIMENSIONS FOR 8121-2000 SINGLE POINT DISPLAY



SCALE 1:2

### SPECIFICATIONS:

#### Electrical:

- 24 V<sub>DC</sub> (20 to 30 V<sub>DC</sub>)
- Optional 12 V<sub>DC</sub> (10 to 14 V<sub>DC</sub>)
- Maximum 0.2 A at 24 V<sub>DC</sub>; 0.4 A at 12 V<sub>DC</sub>
- Reverse and over voltage protection to 120 V<sub>AC</sub>
- Internal fuse - ABC ½ amp for 24 V<sub>DC</sub>, ABC 1 amp for 12 V<sub>DC</sub>
- Dimmer range 0 to 100% of lamp brilliance
- Horn - electronic, rated 80 dbA
- Lamp and horn actuation by remote volt-free normally open contacts
- Illumination - two wedge base bulbs per light assembly, easily front replaced
- Terminals - Screw clamp, sized for up to two 14 AWG wires each

#### Environmental:

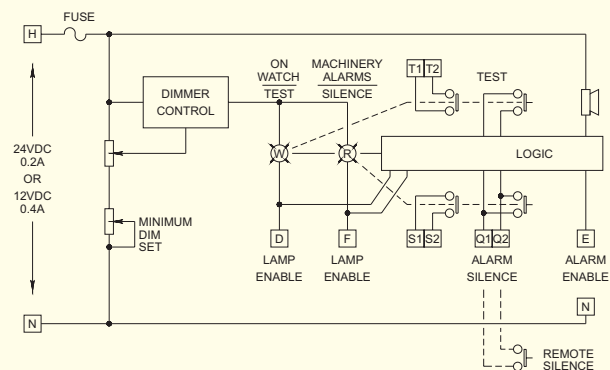
- Operating temperature 0 to +65°C
- Storage temperature -40 to +85°C
- Vibration: Frequency range 2 to 100 Hz  
Peak to peak amplitude 2 mm below 13.2 Hz  
Acceleration amplitude 0.7 g above 13.2 Hz

#### Physical:

- Dimensions:  
79 mm W × 125 mm H × 58 mm D  
(3.1" W × 4.9" H × 2.3" D)

- Weight, typical 0.54 kg (1.2 lbs)
  - Enclosure - die-cast aluminum with gray baked enamel finish
  - Surface mounting with two rear screw holes provided or flush mount using front cover only
  - Internal PC board - glass epoxy with conformal coating
- #### Options:
- Engraving
  - Dimmer range
  - No dimmer
  - 12 V<sub>DC</sub> operation
  - Lens colors

BLOCK DIAGRAM



## PRIME MOVER CONTROLS INC.

3600 GILMORE WAY, BURNABY BC CANADA V5G 4R8

TEL 604 433-4644 FAX 604 433-5570 www.pmc-controls.com