



# Type 8540-1803

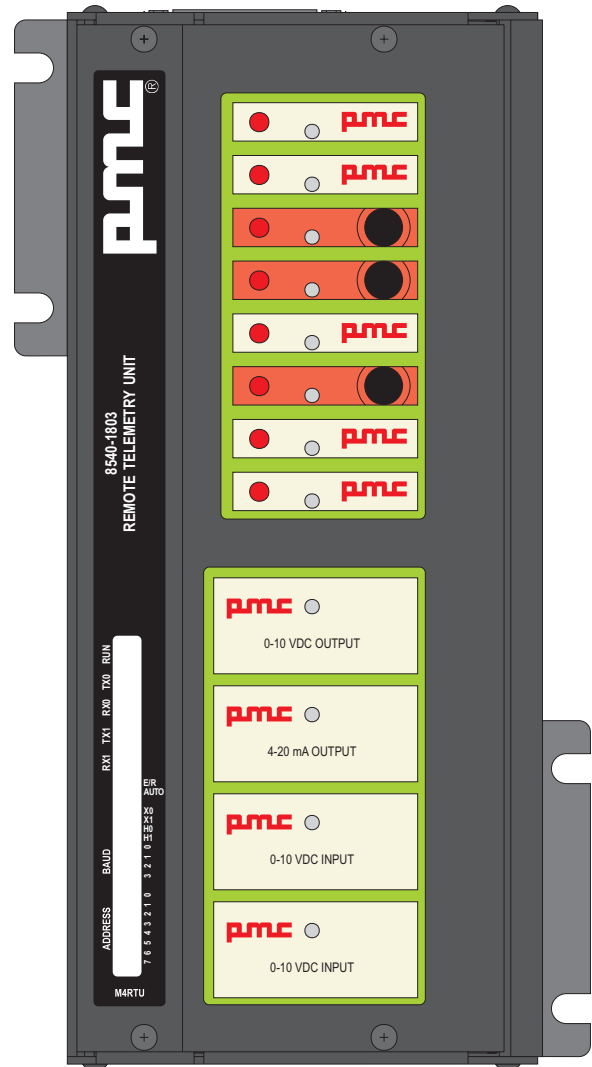
The IMACS 8540-1803 RTU (Remote Telemetry Unit) is a high performance real-time industrial microcomputer. The RTU is a two processor system; one processor manages host communications and program control, and the other handles I/O interfacing and control of both digital and analog signals. Optional I/O can be expanded with the 8540-1804 I/O Extender Unit. Each I/O module is optical and electrical isolated from each other, isolated from the power supply and isolated from the microcomputers. The controller is easily programmed as a communication gateway to other serial interfaced devices or any control process.

## FEATURES

- 32-bit microprocessor
- I/O interfacing microprocessor
- IEEE floating point math
- One RS-232 port and one RS-485 port
- Optional additional RS-232 / 422 / 485 ports
- Optional ARCNET port
- Optional Ether net port
- Up to 1 MB of battery backed RAM
- Up to 1 Mb of Flash EPROM
- Up to 255 controllers per network
- Real time clock / calender
- Watchdog timer
- Year 2000 compliant
- Channel to channel optical and electrical isolation
- CE mark

## IMACS REMOTE TELEMETRY UNIT

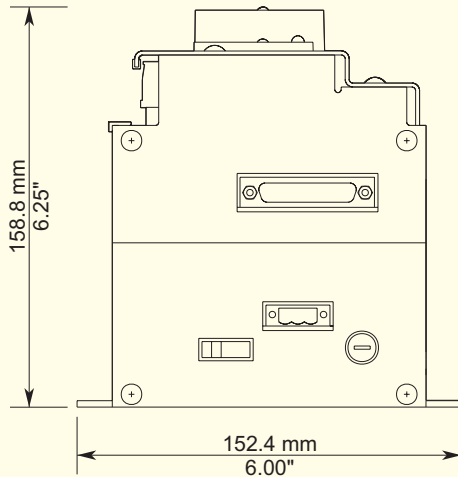
REMOTE TELEMETRY UNIT 8540-1803  
I/O EXTENDER UNIT 8540-1804



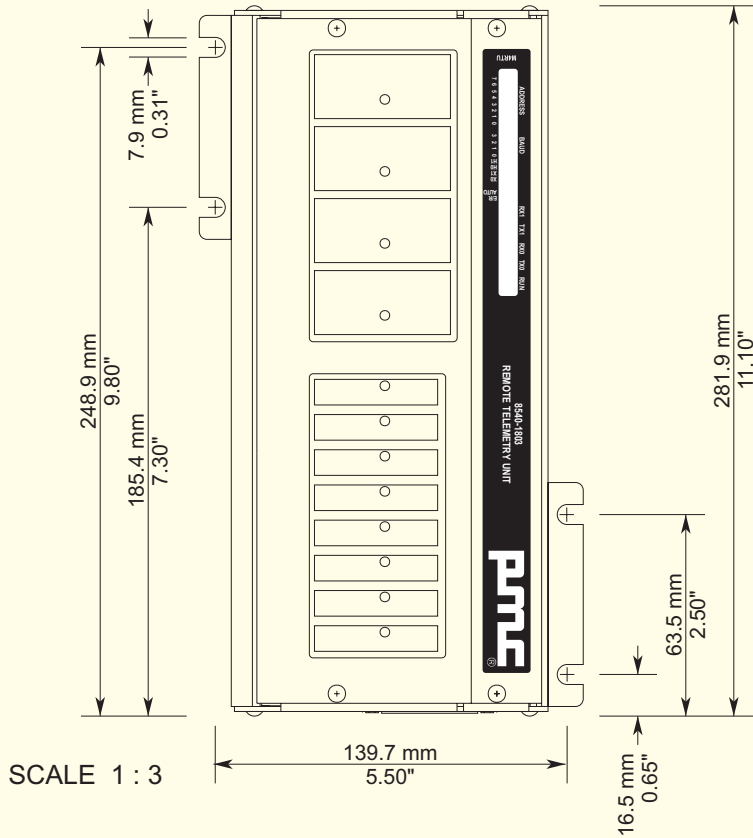
**PRIME MOVER CONTROLS INC.**

## DIMENSIONS FOR 8540-1803/1804 REMOTE TELEMETRY UNIT

END VIEW



TOP VIEW



SCALE 1 : 3

### SPECIFICATIONS:

#### Supply:

- Nominal 24 V<sub>DD</sub> 1.1 A
- Nominal 120 V<sub>AC</sub> 0.25 A
- RAM battery, 3.6 V lithium, 5 year

#### Environmental:

- Operating temperature -20 to +70°C
- Storage temperature -40 to +85°C
- Vibration: Frequency range 3 to 100 Hz  
Velocity amplitude 100 mm/sec below 22 Hz  
Acceleration amplitude 0.7 g above 22 Hz

#### Physical:

- IP30 enclosure
- Dimensions:  
248.9 mm L × 152.4 mm W × 158.8 mm H  
(9.80" L × 6.00" W × 6.25" H)
- Weight 5 kg (11 lbs)
- Removable terminal blocks  
Power supply and I/O, 14 to 20 AWG wires  
Comm ports, 18 To 24 AWG wires
- BNC connector for ARCNET

#### Communication:

- One RS-232 port
- One RS-485 port
- Optional RS-232, RS-422 and RS-485 ports
- Optional ARCNET port @ 2.5 Mbits/s
- Optional Ether net port @ 10 Mbits/s

#### Hardware:

- CPU, 68020 32-bit microprocessor, 16.67 MHz
- I/O PU, 68C196
- IEEE floating point math
- RAM, 1 MB max, battery backed
- Flash EPROM, 1 MB max
- Real time clock / calender with battery backup
- System monitors  
Hardware watchdog timer  
Ambient temperature  
Power monitor  
Power supply type and voltage  
RAM battery level
- Base unit I/O, 4 analog and 8 digital
- Extender unit I/O, adds 4 analog and 8 digital

## PRIME MOVER CONTROLS INC.

3600 GILMORE WAY, BURNABY B.C. CANADA V5G 4R8  
TEL (604) 433-4644 FAX (604) 433-5570 email: info@pmc-controls.com