



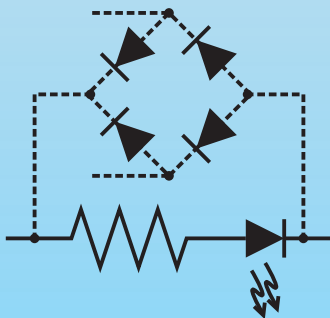
# Type 8542-1040

Digital input modules are used for sensing ON / OFF voltage levels. All input modules have filtering on the input of a hysteresis amplifier for high noise rejection and transient free "clean" switching.

Each module provides up to 4000 Vrms of optical isolation between the field inputs and the output side of the circuit.

## FEATURES

- Four channel per module packaging
- Convenient pluggable wiring terminals
- Powered by a single 5 volt power supply
- 4,000 volt transient isolation
- Channel specific LEDs
- Operating temperature 0° to 70°C
- UL, CSA and CE approved



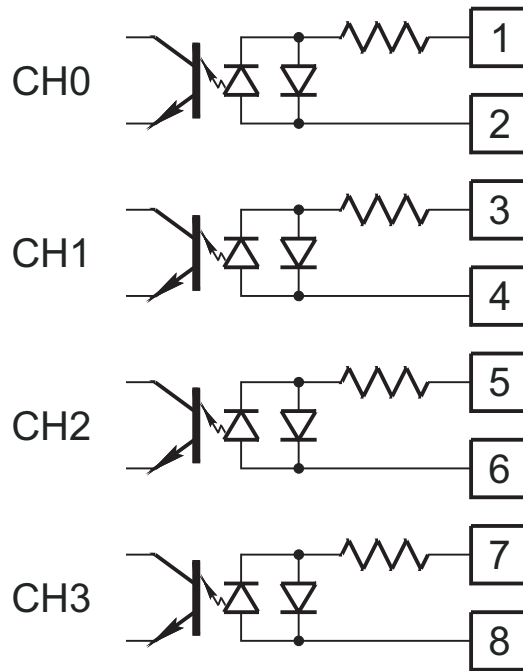
## DIGITAL DRY CONTACT OUTPUT MODULE

4-CHANNEL 10-32VDC/VAC SNAP-IDC5



**PRIME MOVER CONTROLS INC.**

## FIELD WIRING FOR 8542-1040 DC INPUT MODULE



### SPECIFICATIONS:

#### Field side ratings (each channel):

- Nominal input voltage: 24 VAC/VDC
- Channel to channel isolation: 300 VAC (1500 V transient)
- Input voltage range: 10-32 VAC/VDC
- Turn on voltage: 10 VAC/VDC
- Turn off voltage: 3 VAC/VDC
- Input resistance: 15 K nominal

#### Logic side ratings:

- Logic output voltage: <0.5V max (on) @ 2mA sinking, 2.7 V min (off) @ 400 A sourcing
- Logic supply voltage: 5 VDC  $\pm$ 0.25 VDC
- Logic supply current: 50mA maximum

#### Module ratings:

- Number of channels per module: 4
- Turn on time: 5 msec
- Turn off time: 15 msec
- Optical isolation: 4,000 volts
- Operating temperature: 0°C to 70°C
- Storage temperature -30°C to 85°C
- Vibration: frequency range 2-100 Hz  
Velocity amplitude 100mm/sec below 13.2 Hz  
Acceleration amplitude 0.7g above 13.2 Hz
- Dimensions:  
82.55mm L  $\times$  18.29mm W  $\times$  90.17mm H  
(3.25" L  $\times$  0.72" W  $\times$  3.55" H)
- Weight 75 g (2.63 oz)



## PRIME MOVER CONTROLS INC.

3600 GILMORE WAY, BURNABY B.C. CANADA V5G 4R8  
TEL (604) 433-4644 FAX (604) 433-5570 email: info@pmc-controls.com

